

DESCRIPTION OF SCHEMATIC DIAGRAM

SAFETY NOTE:

1. DISCONNECT THE AC PLUG FROM THE AC OUTLET BEFORE REPLACING PARTS.
2. SEMICONDUCTOR HEAT SINKS SHOULD BE REGARDED AS POTENTIAL SHOCK HAZARDS WHEN THE CHASSIS IS OPERATING.

IMPORTANT SAFETY NOTICE:

PARTS MARKED WITH "⚠" () ARE IMPORTANT FOR MAINTAINING THE SAFETY OF THE SET. BE SURE TO REPLACE THESE PARTS WITH SPECIFIED ONES FOR MAINTAINING THE SAFETY AND PERFORMANCE OF THE SET.

NOTE:

1. The unit of resistance "ohm" is omitted (k = 1000 ohms, M = Megaohm).
2. All resistors are 1/8 watt, unless otherwise noted.
3. All capacitors μF , unless otherwise noted ($p = \mu\mu\text{F}$).

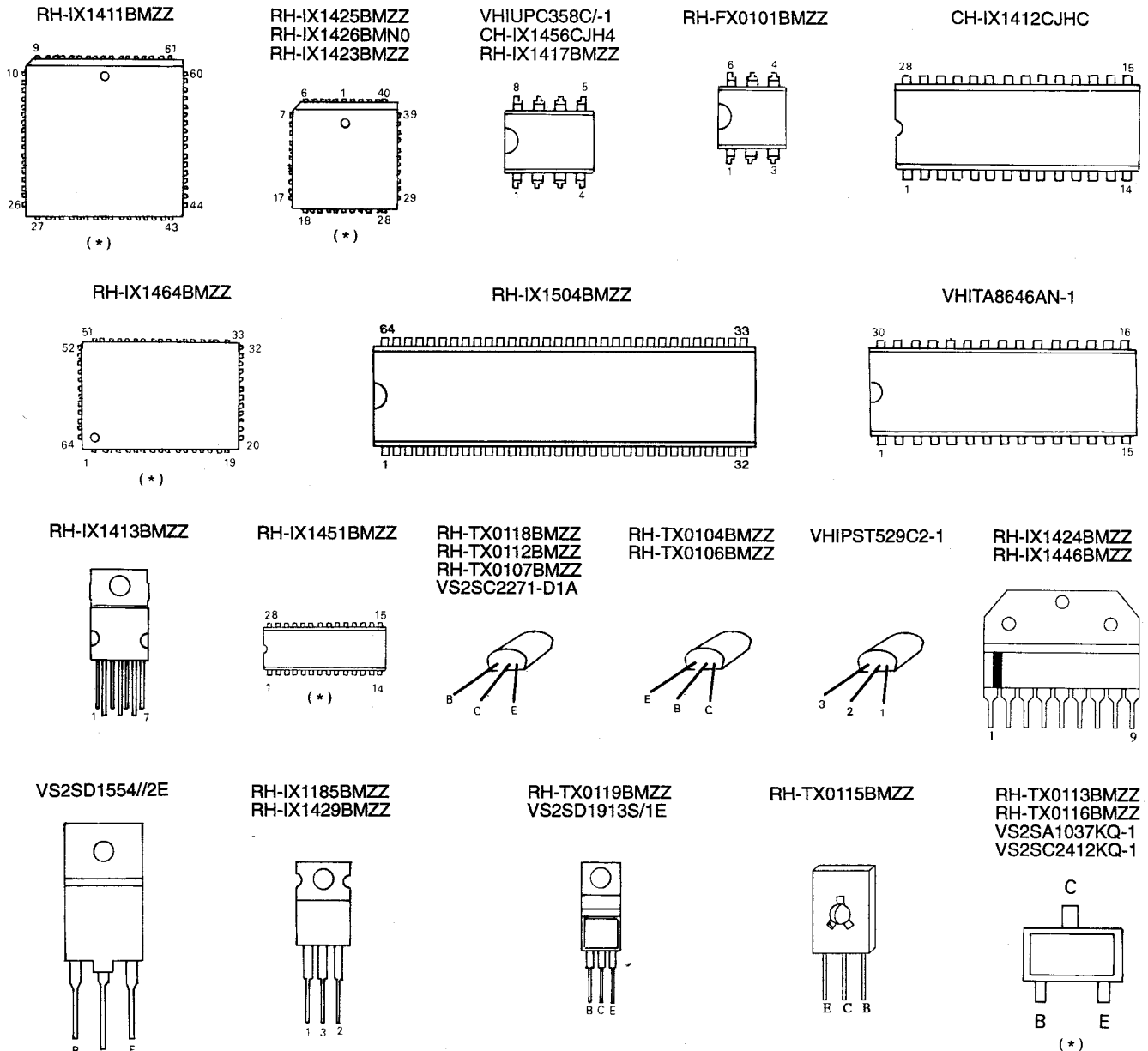
WAVEFORM MEASUREMENT CONDITIONS

Colour bar generator signal of 70 dB from RF input.

Service precaution:

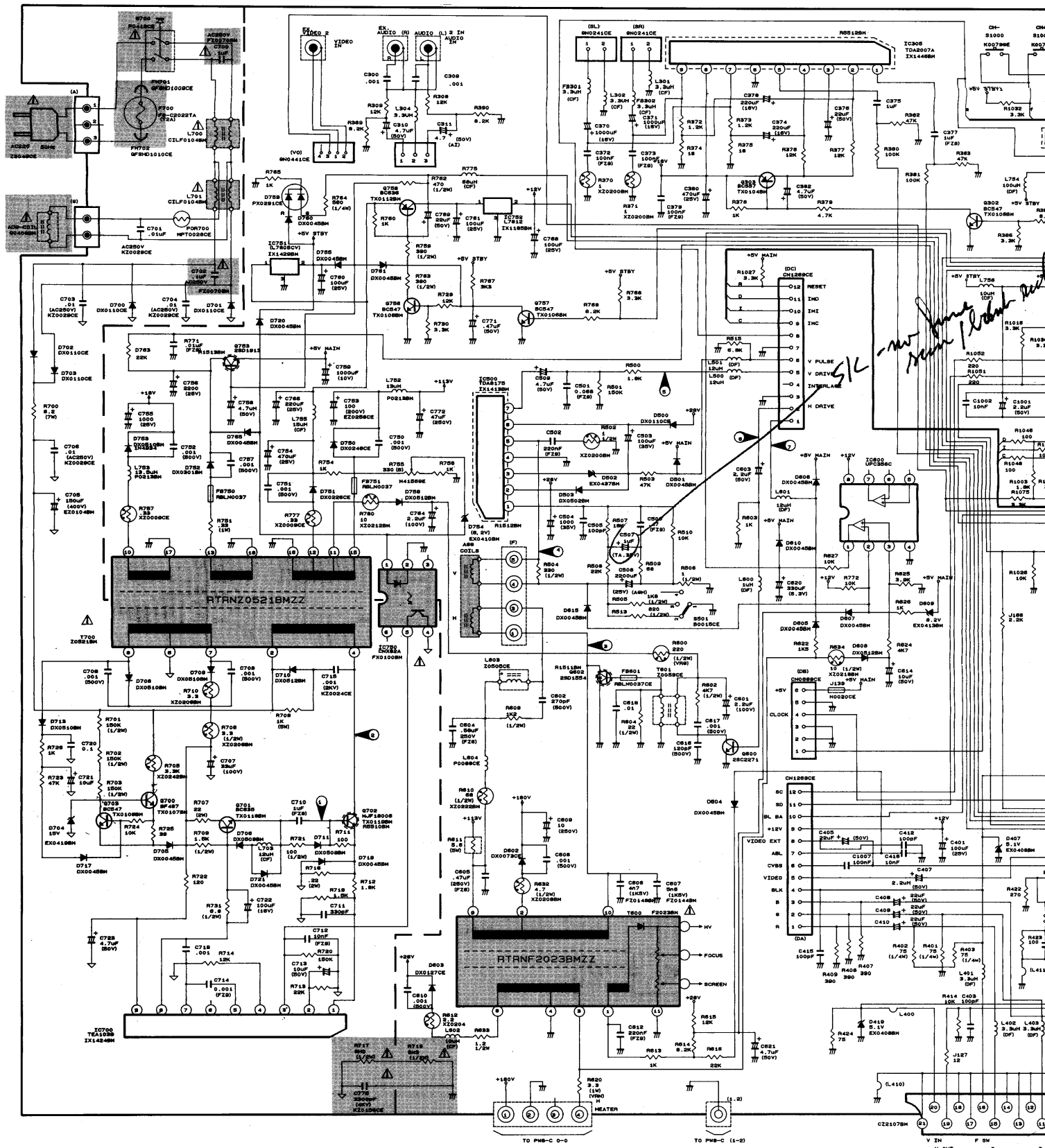
The area enclosed by this line (---) is directly connected with AC Mains Voltage. When servicing the area connect an isolating transformer between TV receiver and AC line to eliminate hazard of electric shock.

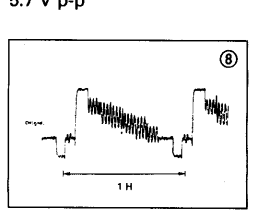
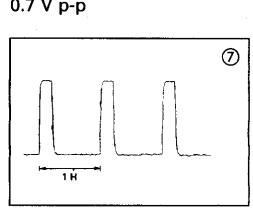
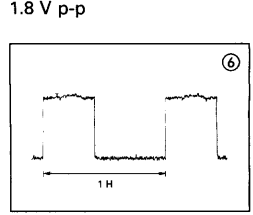
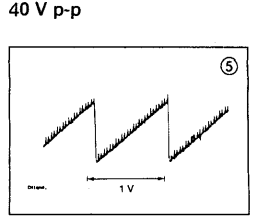
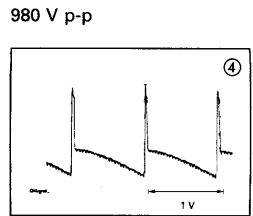
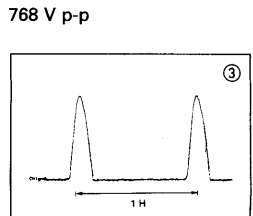
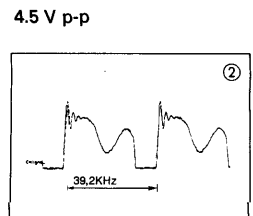
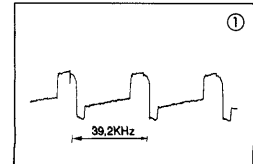
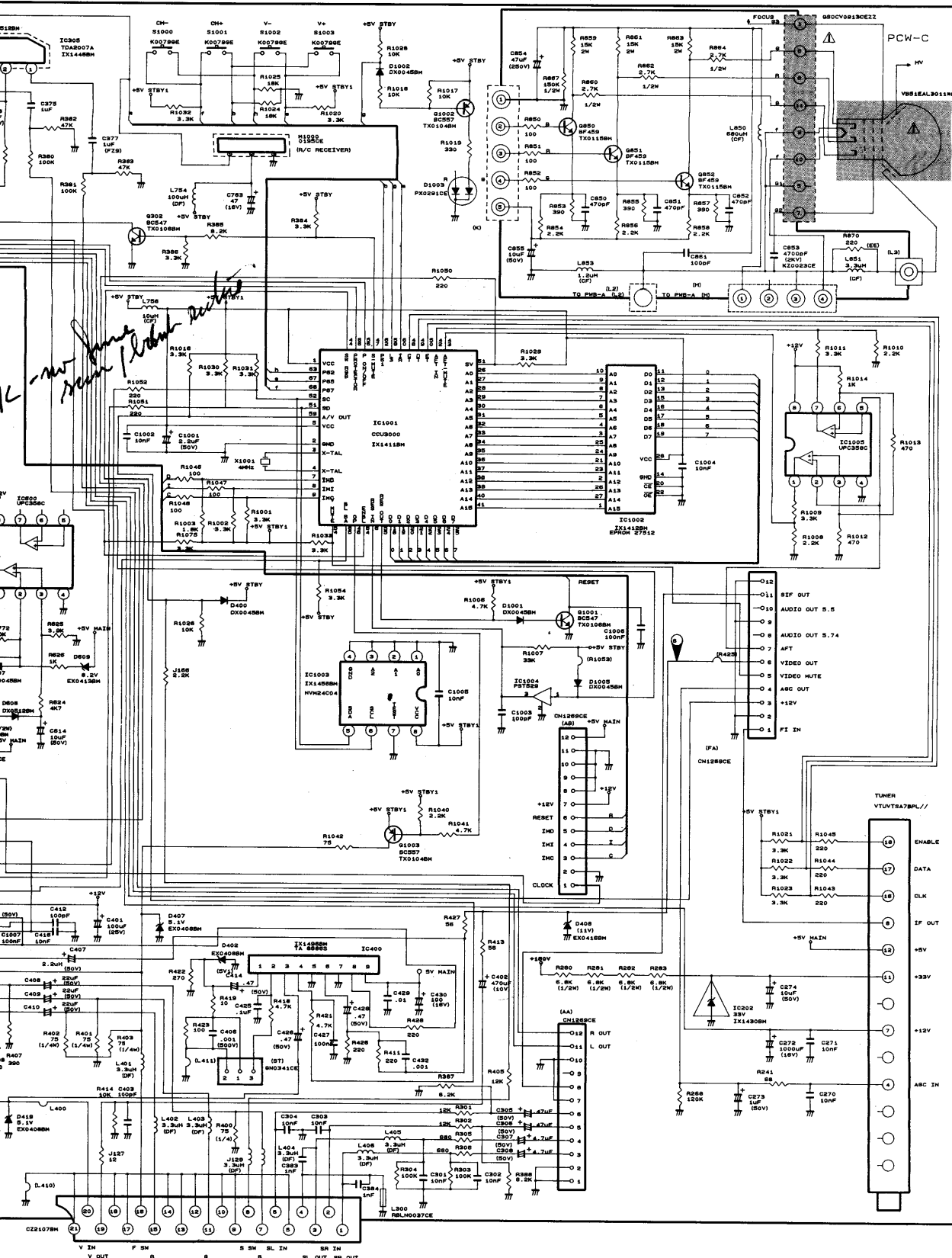
SOLID STATE DEVICE BASE DIAGRAM



(* SMD COMPONENT)

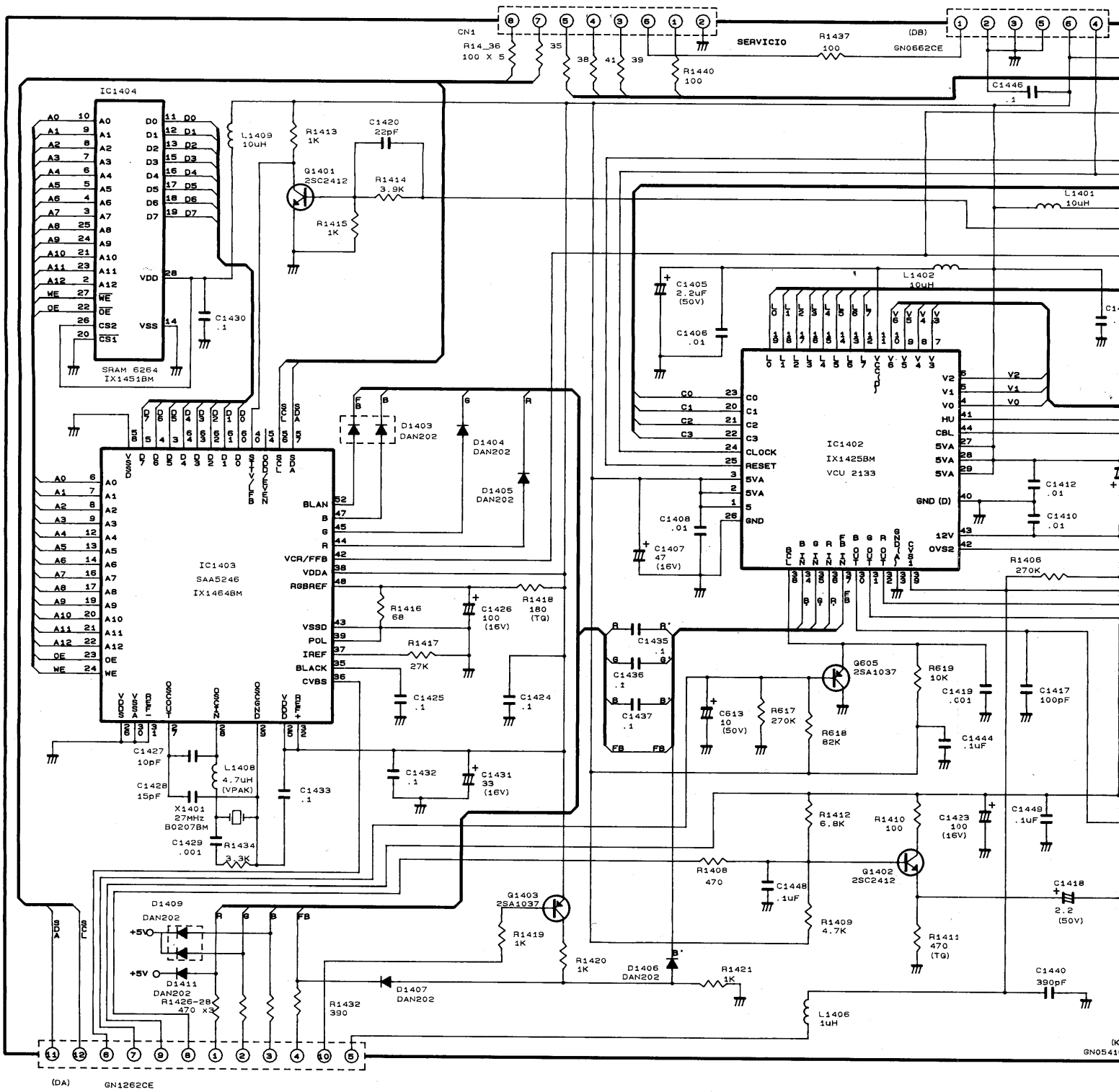
SCHEMATIC DIAGRAM

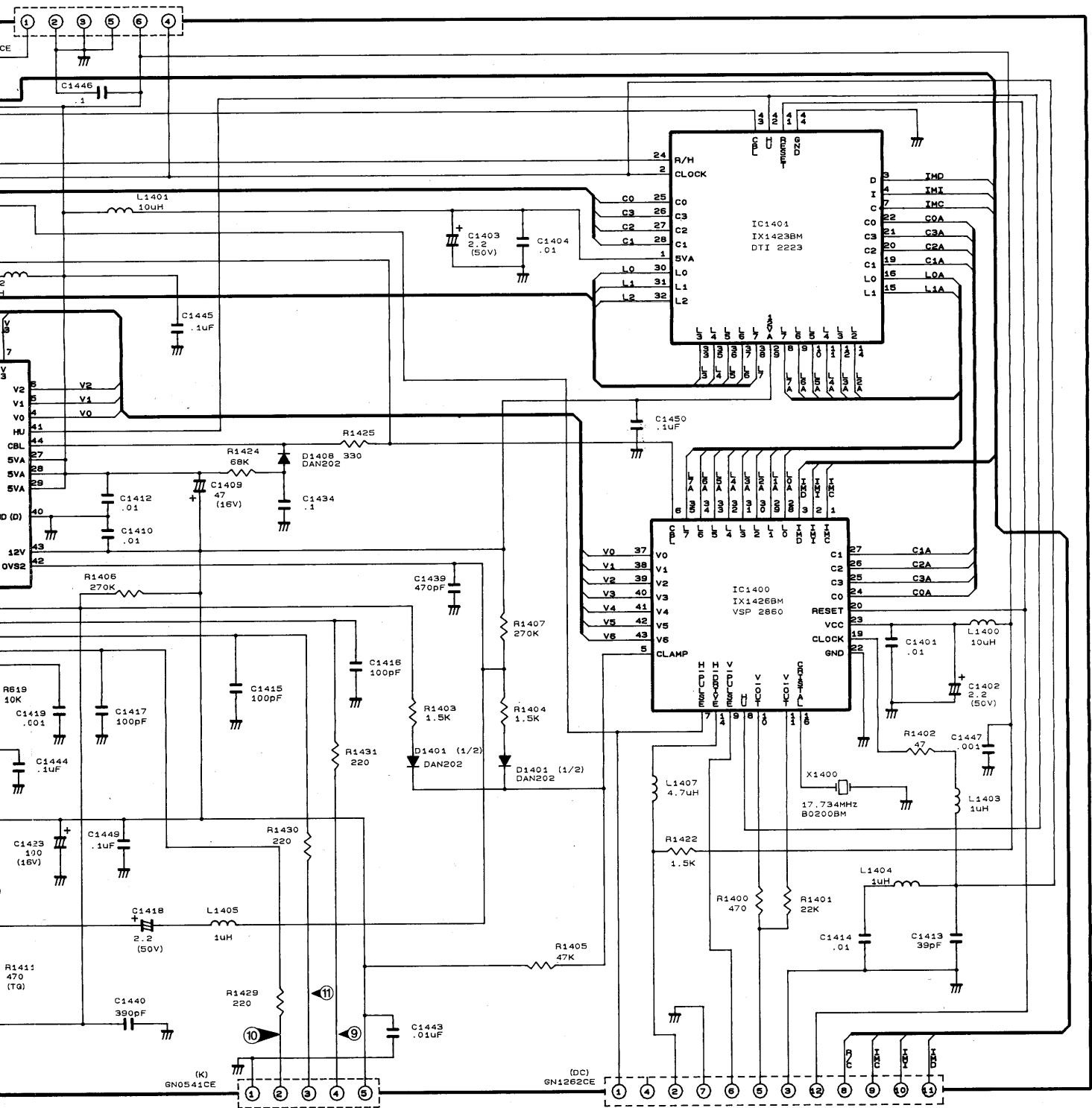




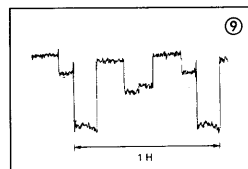
PWB-A/PWB-C

SCHEMATIC DIAGRAM VIDEO UNIT

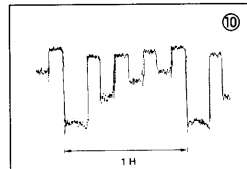




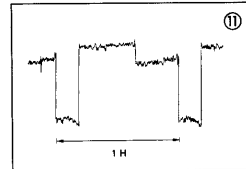
PWB-B



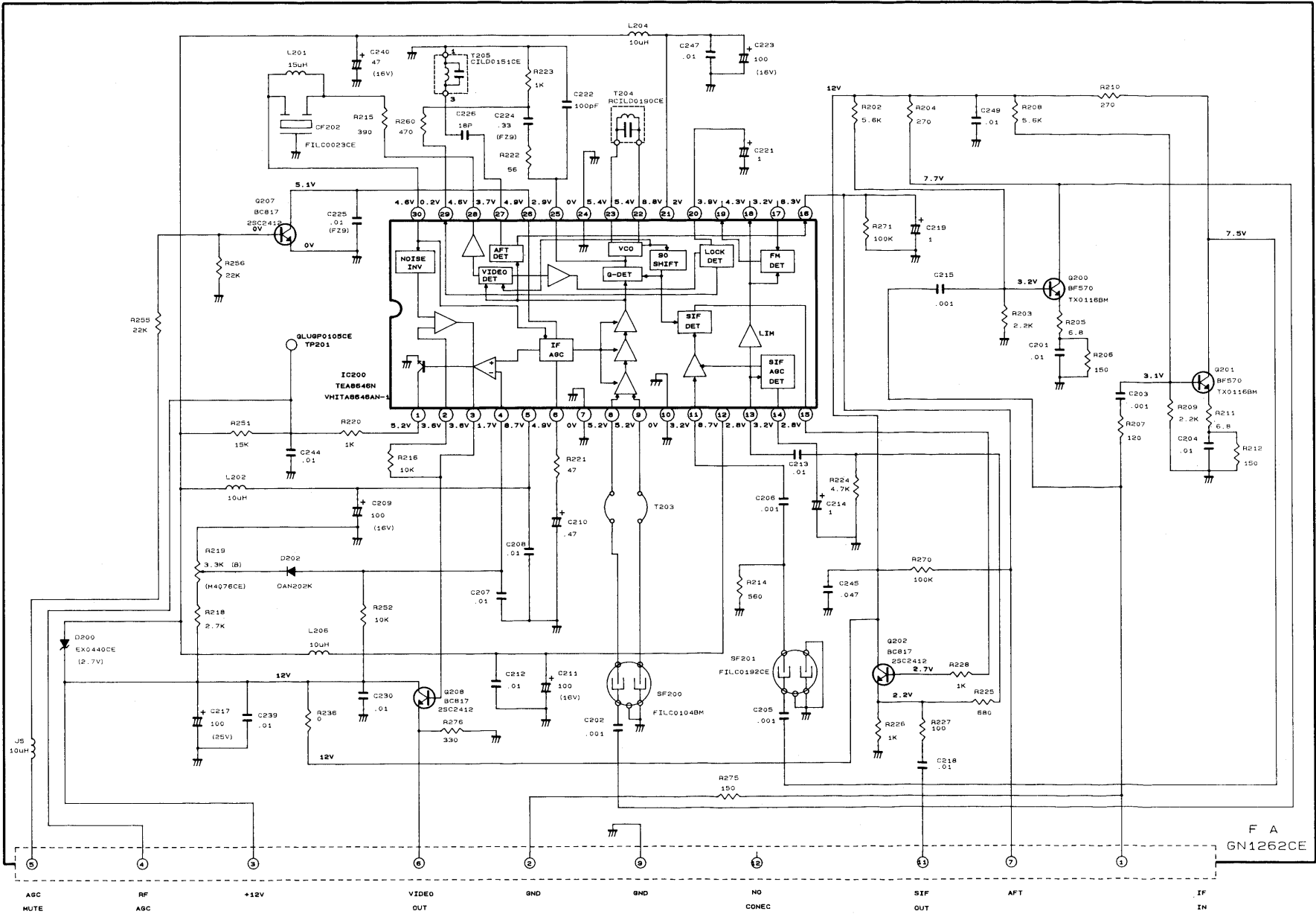
5 V p-p



4.5 V p-p



5 V p-p



F A
GN1262CE

PWB-D

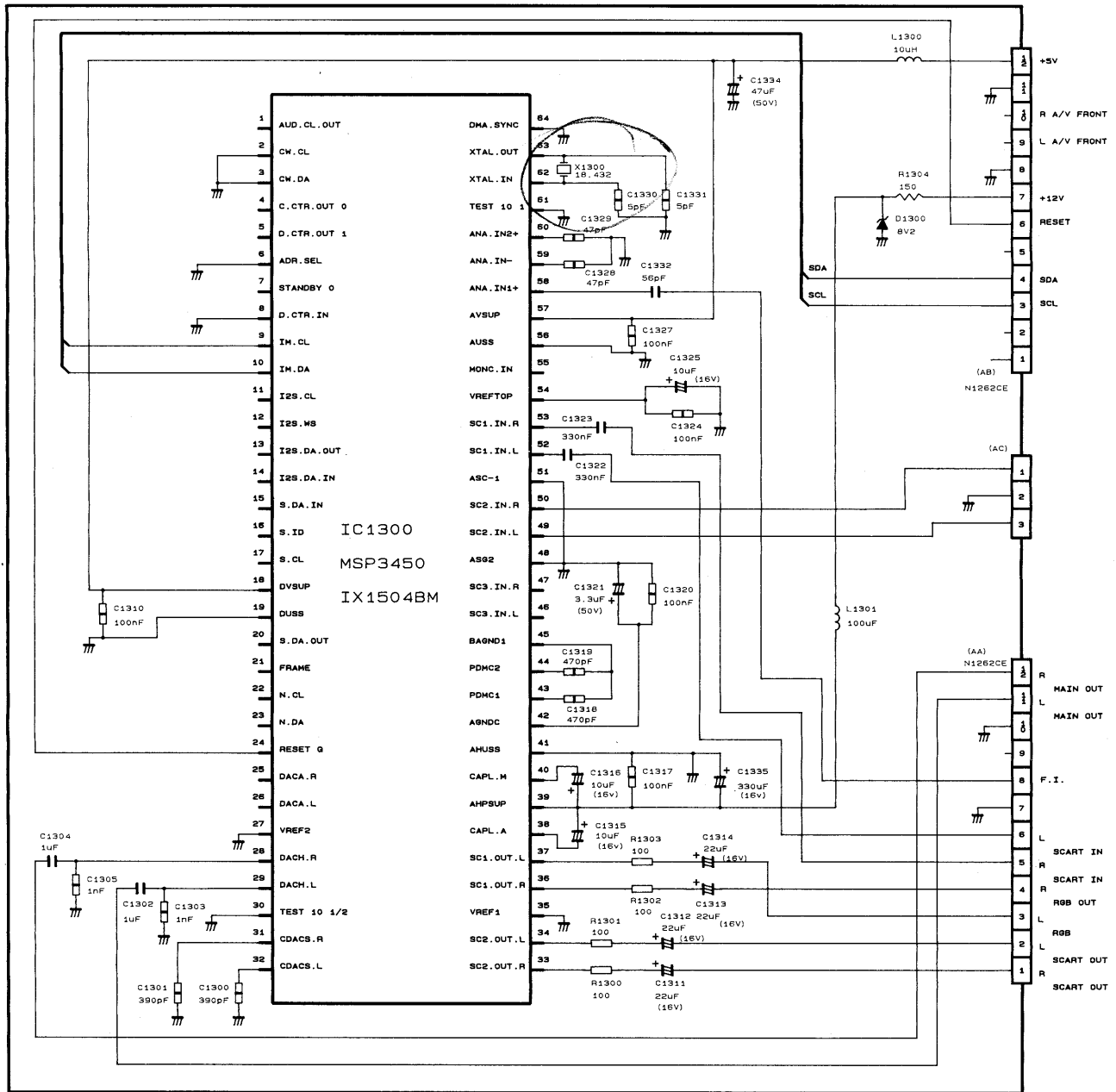
1
2
3
4
5
6

A B C D E F G H I

AGC MUTE RF AGC +12V VIDEO OUT GND GND NO CONEC SIF OUT AFT IF IN

SCHEMATIC DIAGRAM NICAM UNIT

H
G
F
E
D
C
B
A



PWB-E

1 2 3 4 5 6